

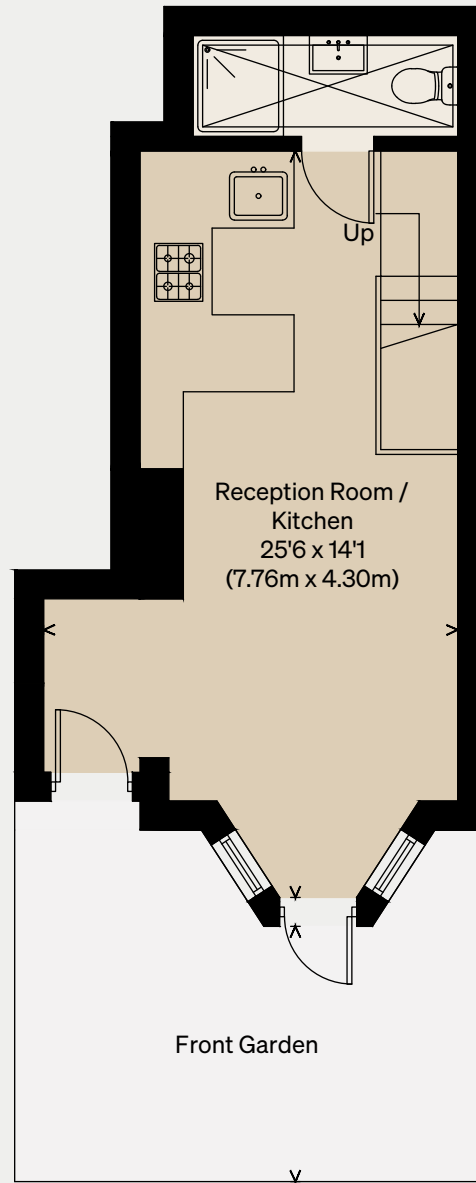
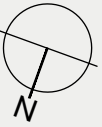
THE MODERN HOUSE

Choumert Square II

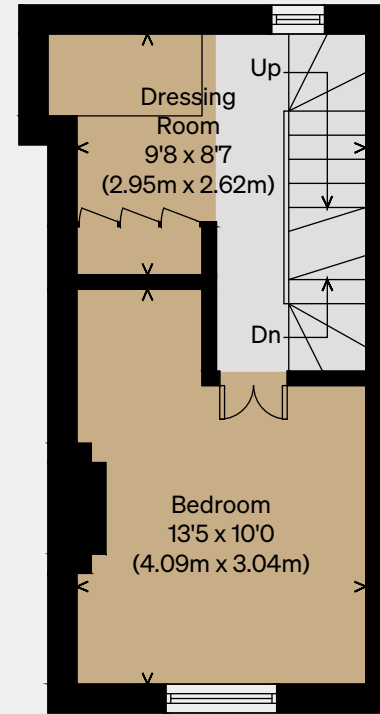
LONDON SE15

Approximate Floor Area = 49.6 sq m / 533 sq ft
Mezzanine / Reduced Head Height = 11.9 sq m / 128 sq ft

Illustration for identification purposes only,
measurements are approximate, not to scale

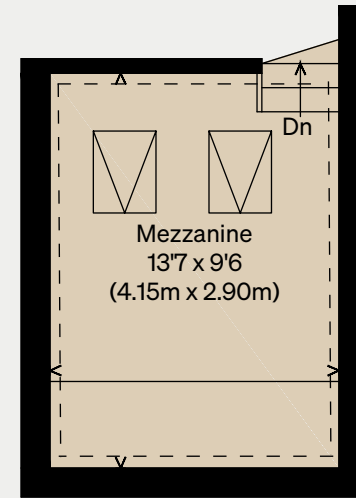
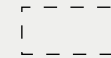


GROUND FLOOR



FIRST FLOOR

Reduced Head Height



SECOND FLOOR