

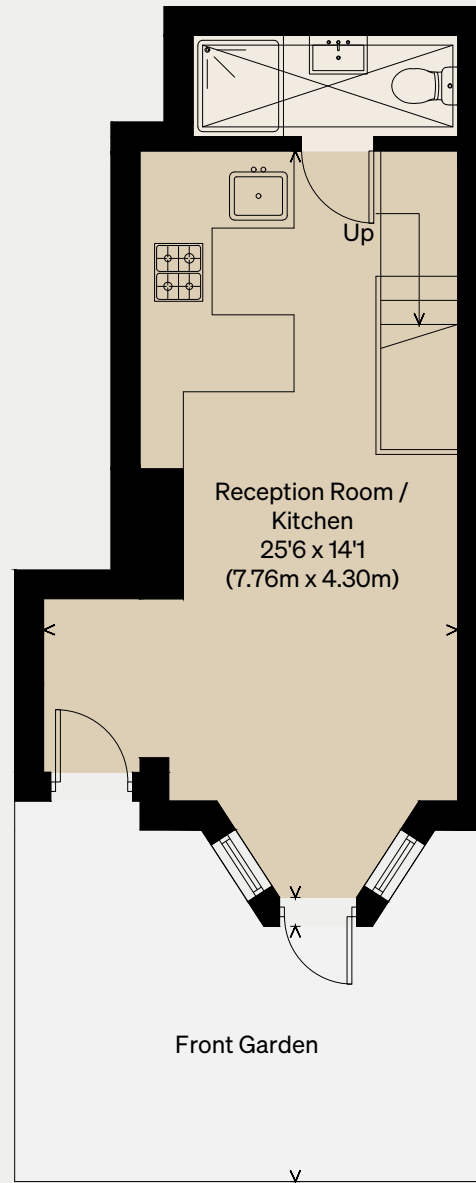
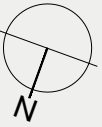
THE MODERN HOUSE

Choumert Square

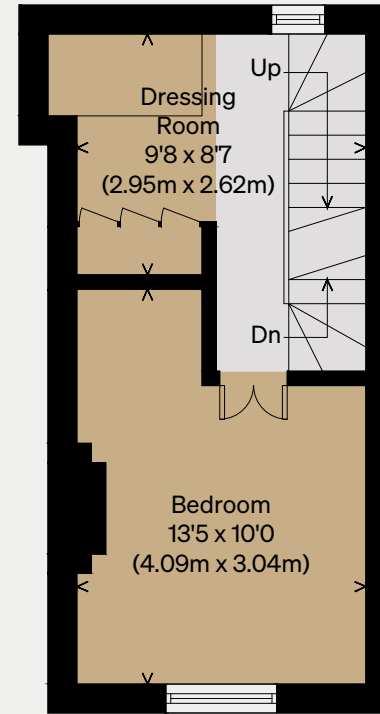
LONDON SE15

Approximate Floor Area = 61.5 sq m / 662 sq ft

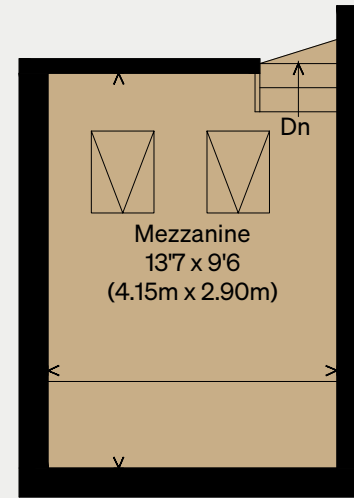
Illustration for identification purposes only,
measurements are approximate, not to scale



GROUND FLOOR



FIRST FLOOR



SECOND FLOOR