

THE MODERN HOUSE

Murray Mews VII

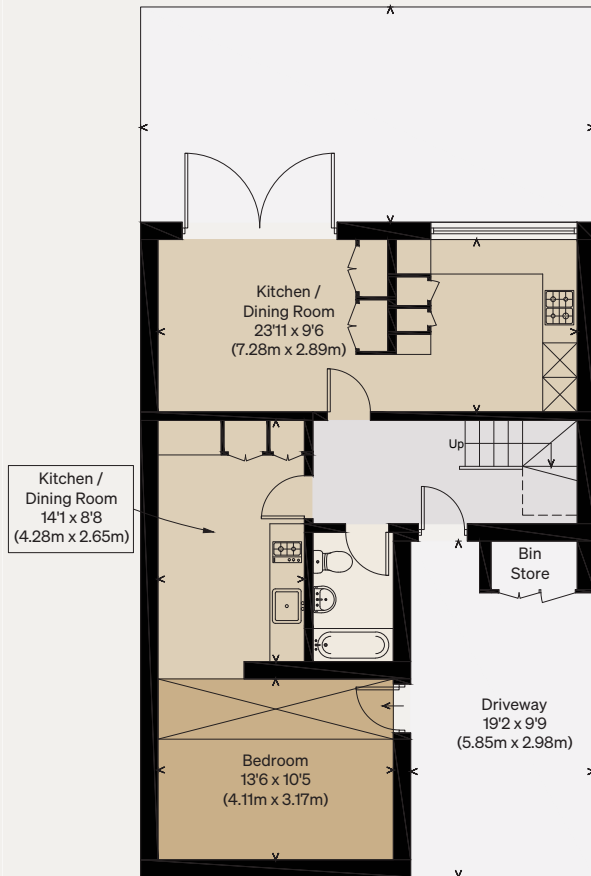
LONDON NW1

Approximate Floor Area (Excluding Void) = 146.1 sq m / 1573 sq ft

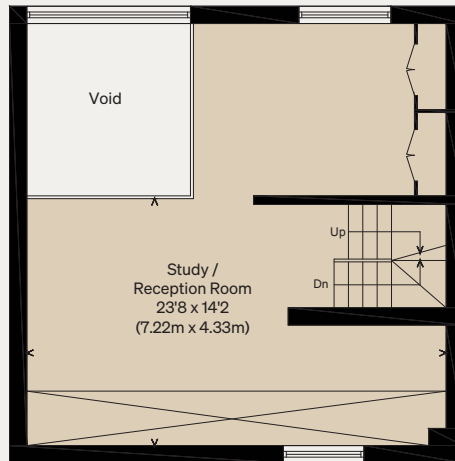
Restricted Head Heights = 2.4 sq m / 26 sq ft

Total = 148.5 sq m / 1599 sq ft

Illustration for identification purposes only,
measurements are approximate, not to scale

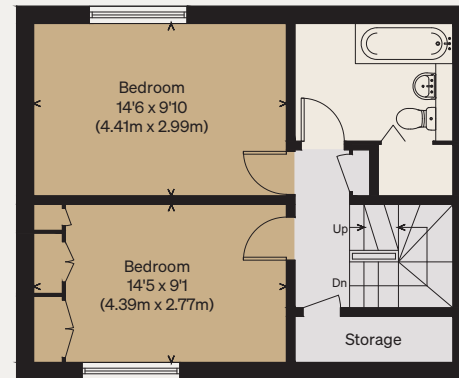


GROUND FLOOR

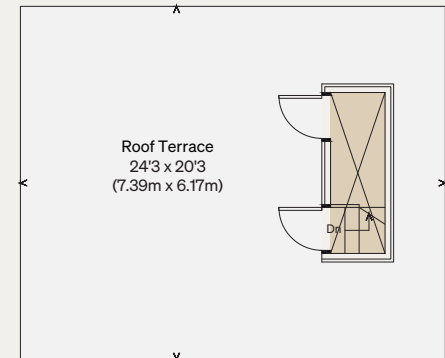


FIRST FLOOR

☐ = Reduced head height below 1.5m



SECOND FLOOR



THIRD FLOOR